

RETAIL PRICE LIST

EX WORKS

ITEM CODE / PRODUCT DESCRIPTION		£ RRP (Excl.VAT)
Suncell europanel: UNFRAMED		
SC.020.CPM	MODEL 020M – 2m x 1.2m (2.4m ²)	226.00
SC.030.CPM	MODEL 030M – 3m x 1.2m (3.6m ²)	265.00
Suncell europanel: ALUMINIUM FRAME KITS		
SC.020.FKS	2m SIDE CHANNEL SUPPORT FRAME (for mounting on existing timber frame)	119.00
SC.030.FKS	3m SIDE CHANNEL SUPPORT FRAME (for mounting on existing timber frame)	156.00
SC.020.FKR	2m FULL FRAME WITH REAR SUPPORT	148.00
SC.030.FKR	3m FULL FRAME WITH REAR SUPPORT	195.00
Suncell europanel: CONNECTIONS		
SC.048.PFC	FLEXIBLE CONNECTOR c/w 2 HOSE CLIPS (2 connectors are required for ea panel)	6.92
SC.048.PEC	END CAP WITH HOSE CLIP—for blanking spare panel connections (2 end caps required per bank of panels)	11.30
SOLAR GAIN CONTROL SYSTEM		
SOLAX DIFFERENTIAL TEMPERATURE CONTROLLER (DTC) KIT INCLUDING: Panel Sensor, Water Sensor, Chromed Brass Water Sensor Pocket, ABS Water Sensor Pocket Adaptor		
SC.048.SOL	SOLAX DTC KIT WITH 1.5" ABS WATER SENSOR ADAPTOR	293.00
SC.050.SOL	SOLAX DTC KIT WITH 50mm ABS WATER SENSOR ADAPTOR	293.00
3-Way MOTORISED DIVERTING VALVES WITH ELECTRIC ACTUATOR		
SC.048.TMV	with 1½" SOCKETS	324.00
SC.050.TMV	with 50mm SOCKETS	324.00
SC.060.TMV	with 2" SOCKETS	POA
SC.063.TMV	with 63mm SOCKETS	POA
Suncell europanel: PARTS FOR ALUMINIUM FRAMES		
SC.020.SCS	2m SIDE CHANNEL SUPPORT (BLACK)	57.00
SC.030.SCS	3m SIDE CHANNEL SUPPORT (BLACK)	85.00
SC.025.RSA	REAR SUPPORT ANGLE	7.70
SC.001.HSC	HEADER SUPPORT CUP	19.40
SC.076.BPT	PIPE TIE	0.30
SC.010.STS	10 x 25mm S/S FIXING SCREWS	0.26
ACCESSORIES		
SC.001.RKP	HEAT BONDED REPAIR PATCH – Pack of 10	87.00
SC.001.PS-	SOLAX SOLAR PANEL TEMPERATURE SENSOR IN ALUMINIUM JACKET	53.00
SC.001.WS-	SOLAX WATER TEMPERATURE SENSOR IN BRASS CASE	53.00
SC.001.WSP	SOLAX CHROMED BRASS WATER TEMPERATURE SENSOR POCKET	39.00
SC.001.PSP	SOLAX PVC WATER TEMPEARTURE SENSOR POCKET	39.00
SC.048.WSA	SOLAX ABS WATER SENSOR ADAPTOR 1.5"	23.00
SC.048.PFH	PANEL FLEXIBLE HOSE	4.60
SC.048.PHC	PANEL HOSE CLIP	2.60
SPLASHER POOL SOLAR PANEL KIT		
SC.015.CPK) 2 No. Panels 1.5m x 1.2m each) 2 No. Connectors) 2 No. End Caps	305.00

RETAIL PRICE LIST

EX WORKS

ITEM CODE / PRODUCT DESCRIPTION	£ RRP (Excl.VAT)
---------------------------------	------------------

GROUND		
SC.020.FLG	Front leg for panel 020	28.66
SC.030.FLG	Front leg for panel 030	29.21
SC.020.RLG	Rear leg for panel 020	34.50
SC.030.RLG	Rear leg for panel 030	38.69
SC.020.RBG	Rear brace for panel 020	39.14
SC.030.RBG	Rear brace for panel 030	41.34
FLAT ROOF		
SC.030.FLR	Front leg for panels 020/ 030	24.25
SC.020.RLR	Rear leg for panel 020	27.56
SC.030.RLR	Rear leg for panel 030	30.32
SC.020.RBR	Rear brace for panel 020	38.58
SC.020.RBG	Rear brace for panel 030	39.14
SC.001.SUB	U-bolt c/w nuts	1.76
SC.001.SAB	Support angle bracket	2.80
SC.008.SLB	Leg bolt	0.55
SC.006.ABB	Angle bracket bolt	0.22
SC.033.BFR	Base flange (roof support only)	11.58
SC.001.SAK	Base flange Allen key (roof support only)	4.41

GALVANISED STEEL SUPPORT KITS FOR SUNCELL SOLAR PANELS WITH ALUMINIUM FRAMES									
GROUND				£	FLAT ROOF				£
SC.021.GSK	One	020 panel	146.28	SC.021.RSK	One	020 panel	165.36		
SC.031.GSK	One	030 panel	157.94	SC.031.RSK	One	030 panel	171.72		
SC.022.GSK	Two	020 panels	234.26	SC.022.RSK	Two	020 panels	267.12		
SC.032.GSK	Two	030 panels	253.34	SC.032.RSK	Two	030 panels	275.60		
SC.023.GSK	Three	020 panels	299.98	SC.023.5SK	Three	020 panels	337.08		
SC.033.GSK	Three	030 panels	322.24	SC.033.RSK	Three	030 panels	350.86		
SC.024.GSK	Four	020 panels	361.46	SC.024.RSK	Four	020 panels	405.98		
SC.034.GSK	Four	030 panels	373.12	SC.034.RSK	Four	030 panels	420.82		
SC.025.GSK	Five	020 panels	451.56	SC.025.RSK	Five	020 panels	506.68		
SC.035.GSK	Five	030 panels	485.48	SC.035.RSK	Five	030 panels	526.82		
SC.026.GSK	Six	020 panels	544.84	SC.026.RSK	Six	020 panels	606.32		
SC.036.GSK	Six	030 panels	590.42	SC.036.RSK	Six	030 panels	630.70		
SC.027.GSK	Seven	020 panels	606.32	SC.027.RSK	Seven	020 panels	681.58		
SC.037.GSK	Seven	030 panels	647.66	SC.037.RSK	Seven	030 panels	703.84		
SC.028.GSK	Eight	020 panels	698.54	SC.028.RSK	Eight	020 panels	782.28		
SC.038.GSK	Eight	030 panels	747.30	SC.038.RSK	Eight	030 panels	806.66		

TECHNICAL DATA

For technical information relating to the products in this price list please visit our website www.cpv.co.uk or contact our sales office on Tel: 01794 322884

GENERAL CONDITIONS

1. This price list cancels all previous lists and is subject to change without notice
2. All transactions are conducted in accordance with our standard conditions of sale
3. Prices are given in £ sterling and are subject to VAT at the standard rate
4. Errors and omissions excepted

RETAIL PRICE LIST

EX WORKS

EQUIPMENT PRICE GUIDE RRP EXC VAT 2007

POOL SIZE	PANEL AREA 50% OF POOL AREA	BASIC KIT REQUIREMENT			PRICE	OPTIONAL ALUMINIUM FRAME KITS
		PANELS	CONNECTORS	END CAPS		
10' X 12' (120 sq ft) (3.05 x 3.66m)	60 sq ft	2 x 030	4	2	£541.46	£282.00
	(5.58m ²)	or 3 x 020	6	2	£693.52	£360.00
12' x 24' (288 sq ft) (3.66 x 7.32m)	144 sq ft	4 x 030	8	2	£1061.58	£564.00
	(13.4m ²)	or 6 x 020	12	2	£1365.70	£720.00
14' x 28' (392 sq ft) (4.27 x 8.53m)	196 sq ft	5 x 030	10	2	£1321.64	£705.00
	(18.2m ²)	or 8 x 020	16	2	£1813.82	£960.00
15' x 30' (450 sq ft) (4.57 x 9.44m)	225 sq ft	6 x 030	12	2	£1581.70	£846.00
	(20.9m ²)	or 9 x 020	18	4	£2059.22	£1080.00
16' x 32' (512 sq ft) (4.88 x 9.75m)	256 sq ft	7 x 030	14	2	£1841.76	£987.00
	(23.8m ²)	or 10 x 020	20	4	£2283.28	£1200.00
18' x 36' (648 sq ft) (5.49 x 10.97m)	324 sq ft	8 x 030	16	2	£2101.82	£1128.00
	(30.1m ²)	or 13 x 020	26	4	£2955.46	£1560.00
20' x 40' (800 sq ft) (6.10 x 12.19m)	400 sq ft	10 x 030	20	4	£2643.28	£1410.00
	(37.18m ²)	or 15 x 020	30	4	£3403.58	£1800.00
24' x 40' (960 sq ft) (7.32 x 12.19m)	480 sq ft	12 x 030	24	4	£3163.40	£1692.00
	(44.62m ²)	or 19 x 020	38	6	£4321.16	£2280.00

ADDITIONAL ITEMS

For an automatic solar gain control system

Motorised 3-port valve with 1½" or 50mm sockets	£383.00
Motorised 3-port valve with 2" or 63mm sockets	£458.00
SOLAX Differential Temperature Control Kit with 1.5" adaptor	£279.00
SOLAX Differential Temperature Control Kit with 50mm adaptor	£279.00

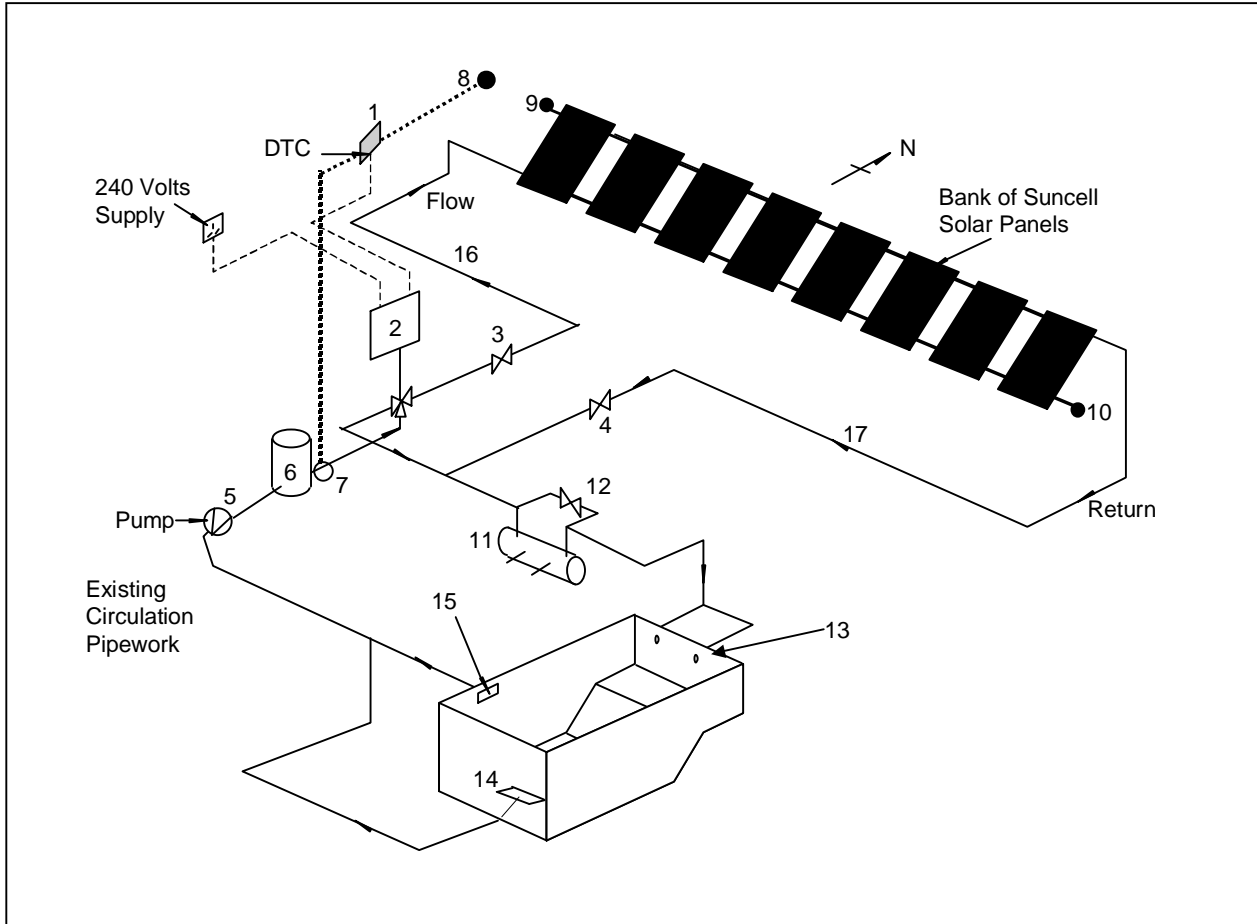
Panel support installation kits in galvanized steel

Ground) See Price List
Flat roof) page 2

Sloping roof installation - Timber battens/bolts/screws

Plumbing - 1½" ABS pipe and fittings

SYSTEM LAYOUT



- | | | | |
|---|---|----|--|
| 1 | Differential temperature controller (DTC) | 10 | End Cap |
| 2 | 3-Way Motorised valve | 11 | Auxiliary Heating (if provided) with by-pass |
| 3 | Double Union Ball Valve | 12 | Double Union Ball Valve |
| 4 | Double Union Ball Valve | 13 | Inlets |
| 5 | Pump | 14 | Sump Outlet |
| 6 | Filter | 15 | Skimmer |
| 7 | Water Sensor | 16 | Flow to Panels |
| 8 | Air Sensor | 17 | Return from Panels |
| 9 | End Cap | | |